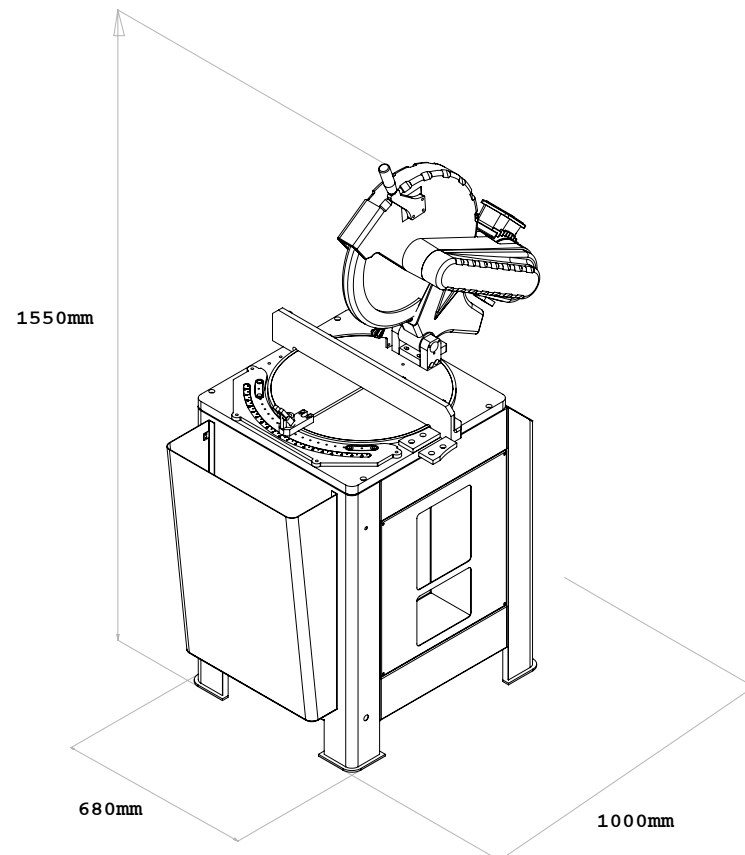
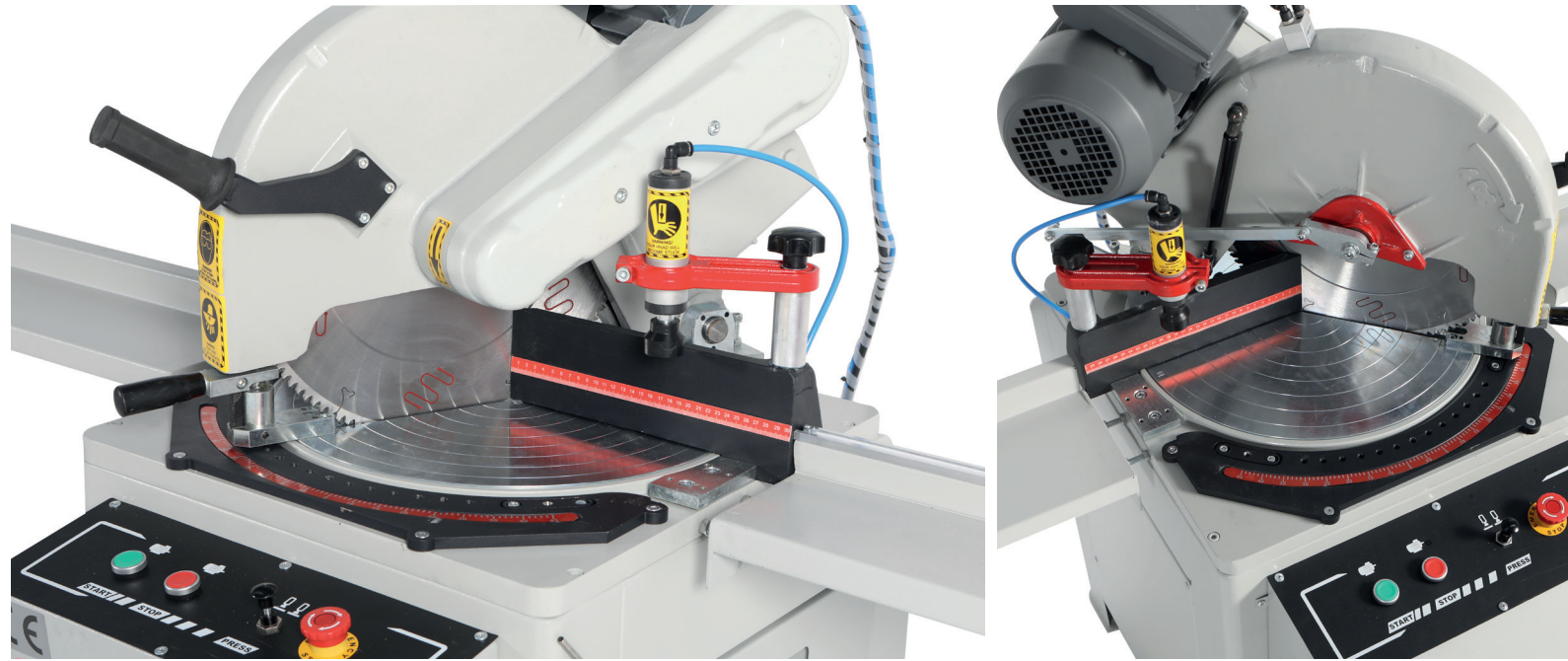


OST 42

ALUMINUM & uPVC

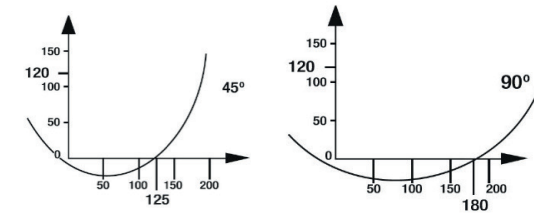
MANUAL OVERHEAD CUTTING MACHINE
(Ø400MM SAW)



INFORMATION

- The machine can cut at + 45°, -45° and intermediate degrees.
- Quick adjustment pads for 90°, 75°, 60°, 45° degrees
- Table fixing arm for intermediate levels
- Profile compression is done in a pneumatic system and is done in a practical way.
- Diamond Saw diameter is Ø400mm.
- Measuring and transport conveyors are available as standard (3m right – left)

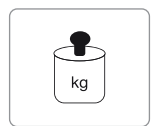
- OPTION
- Cooling device for cutting aluminum profiles



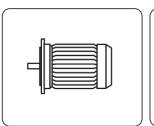
V : 400
kW : 1.5
A : 3



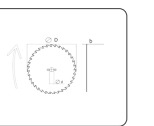
6-8 bar
9/lt/syc



125 kg.



1.5 kW
2810 rpm



ØD 400 mm
Ød 30 mm
b 4,2 x 3,4 mm
z 120