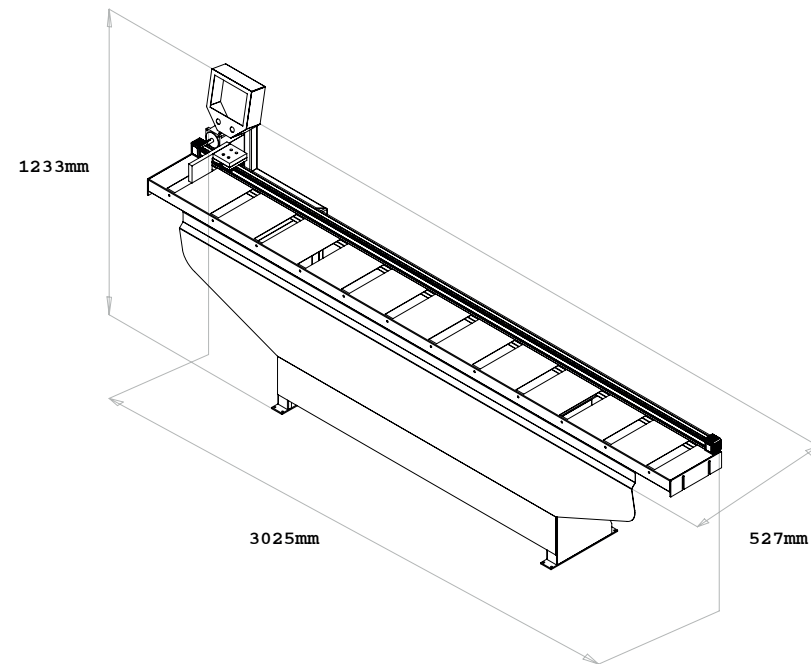


OST 70

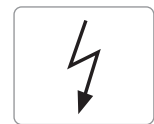
AUTOMATIC SERVO CONTROL

DIGITAL MEASURING TABLE

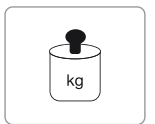


INFORMATION

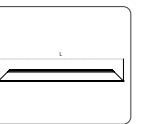
- 3/6 meters length
- With servo-controlled measurement, ± 0.1 mm precision
- Conveyor opening feature for easy retrieval of the cut material
- Easily operable cutting with a 7" touchscreen



V : 220
kW : 0,5



150 kg.



L max = 6000 mm
L min = 300 mm