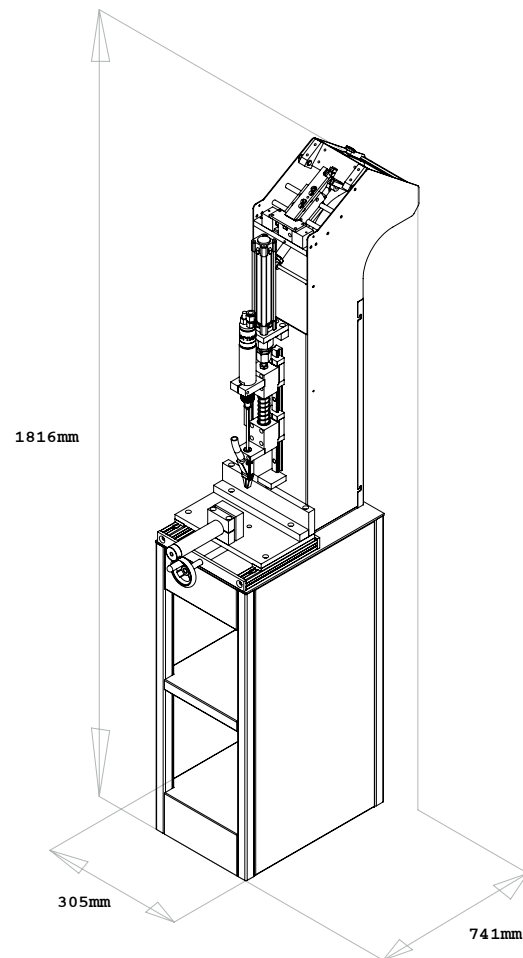
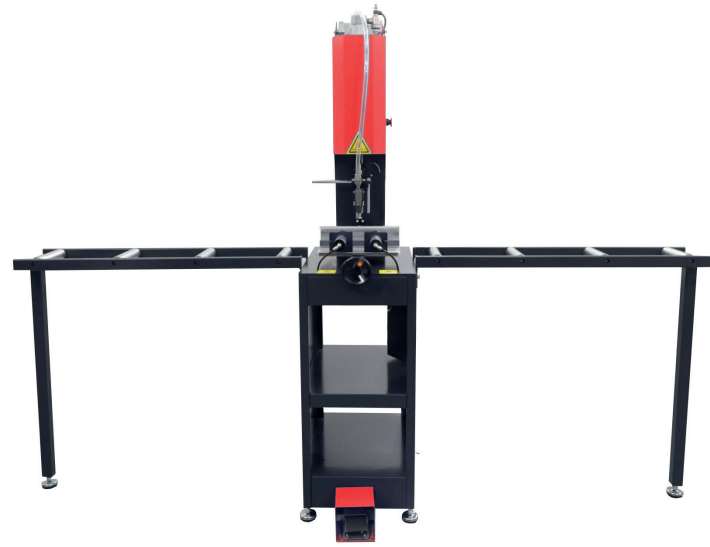


# OST 80

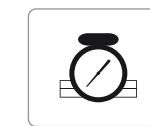
## AUTOMATIC SCREWING MACHINE



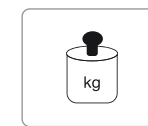
### INFORMATION

- Complies with CE standards
- Automatic screw feeding system
- Foot pedal control for screw driving
- Adjustable screw placement and torque for different profiles
- Durable and low-maintenance screw driving tip
- Safety switch to prevent improper use
- Adjustable support sheet stop distance

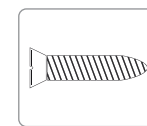
OPTION  
· 3 Meter Measurement and Transport Conveyor



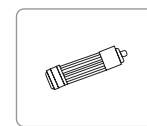
6-8 bar  
16/lit/syc



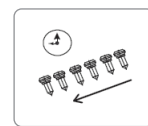
110 kg.



Min : 3,9 x 16  
Max : 4,2 x 38



rpm = 2360  
n max = 2,59 mm



speed = 1.7 sec/piece