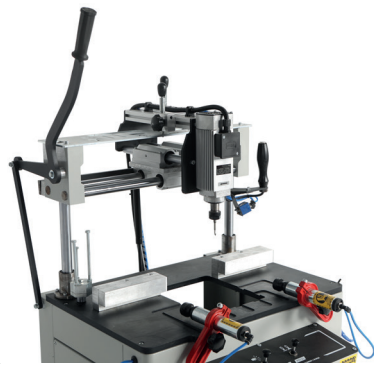
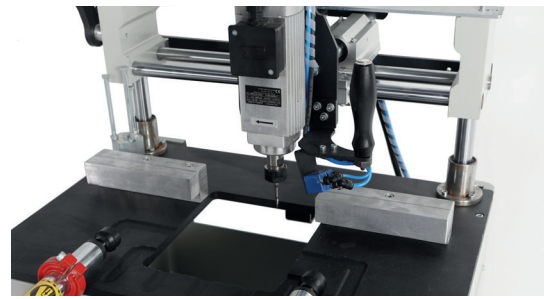
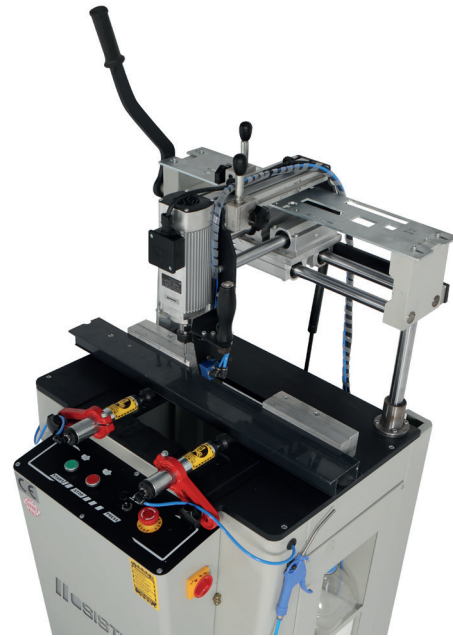
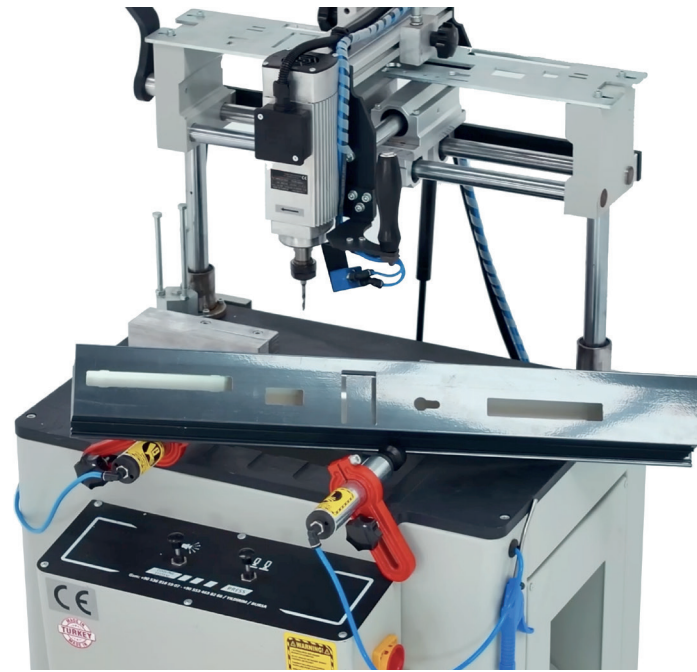


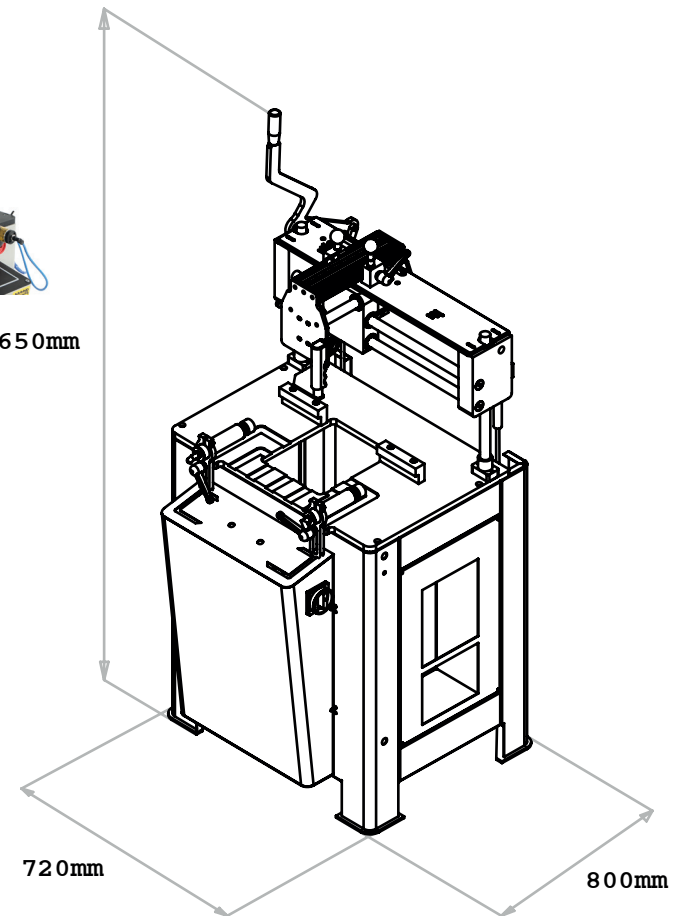
# OST 50

## ALUMINUM & uPVC

### COPY ROUTER MACHINE



1650mm



#### INFORMATION

- It is used in all profiles, handles, locks etc.
- It works comfortably with advanced technology engine support.
- It has a burr-free and comfortable processing speed.
- There is a water cooling system.
- It has a pneumatic profile compression system.
- High frequency motor (18000 rpm)

- OPTION
- Right conveyor system (1m)



V : 220 kW : 1.4 A : 6.3	6-8 bar 20/lit/syc	120 kg.	1.4 kW 18000 rpm